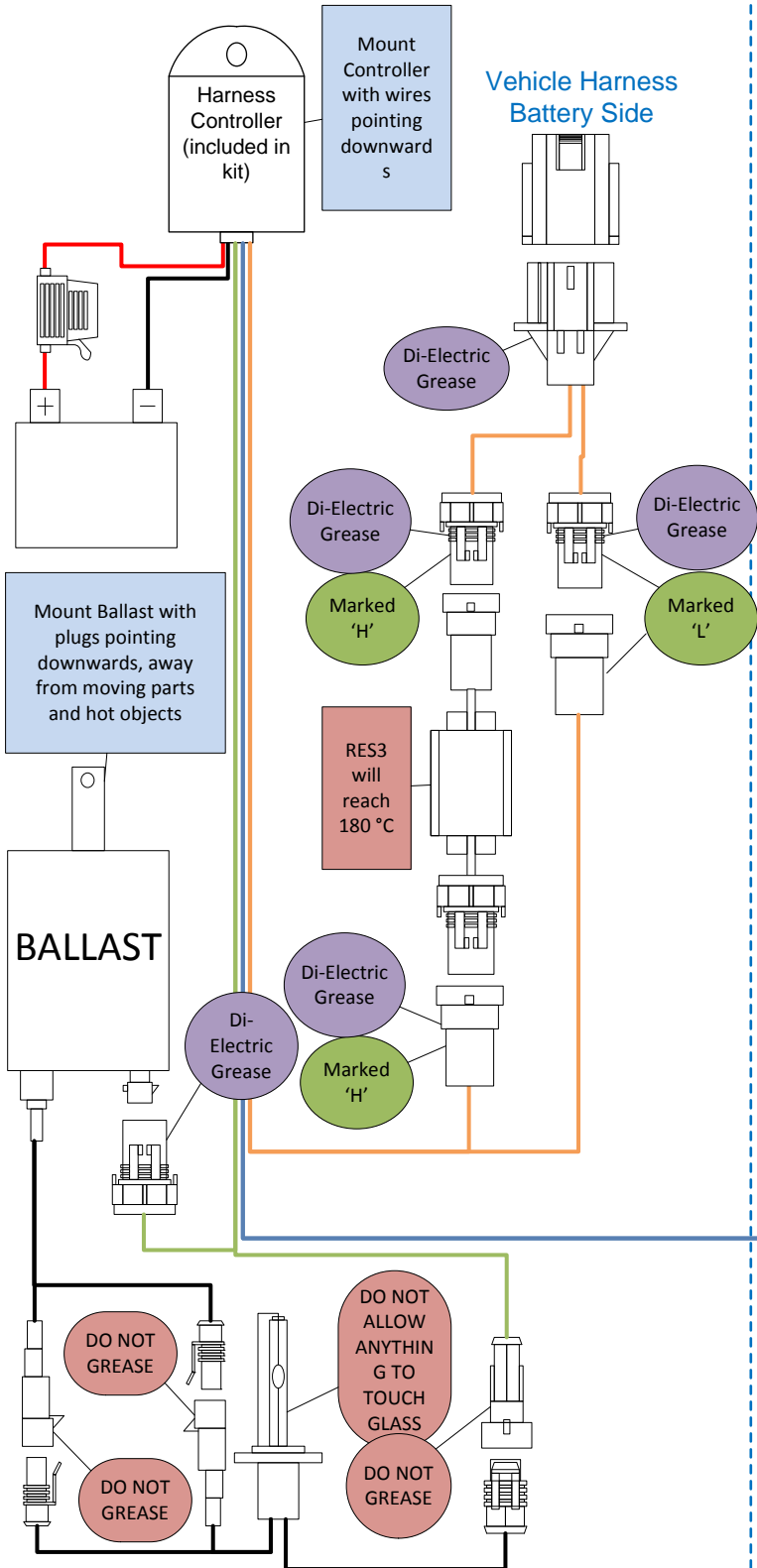
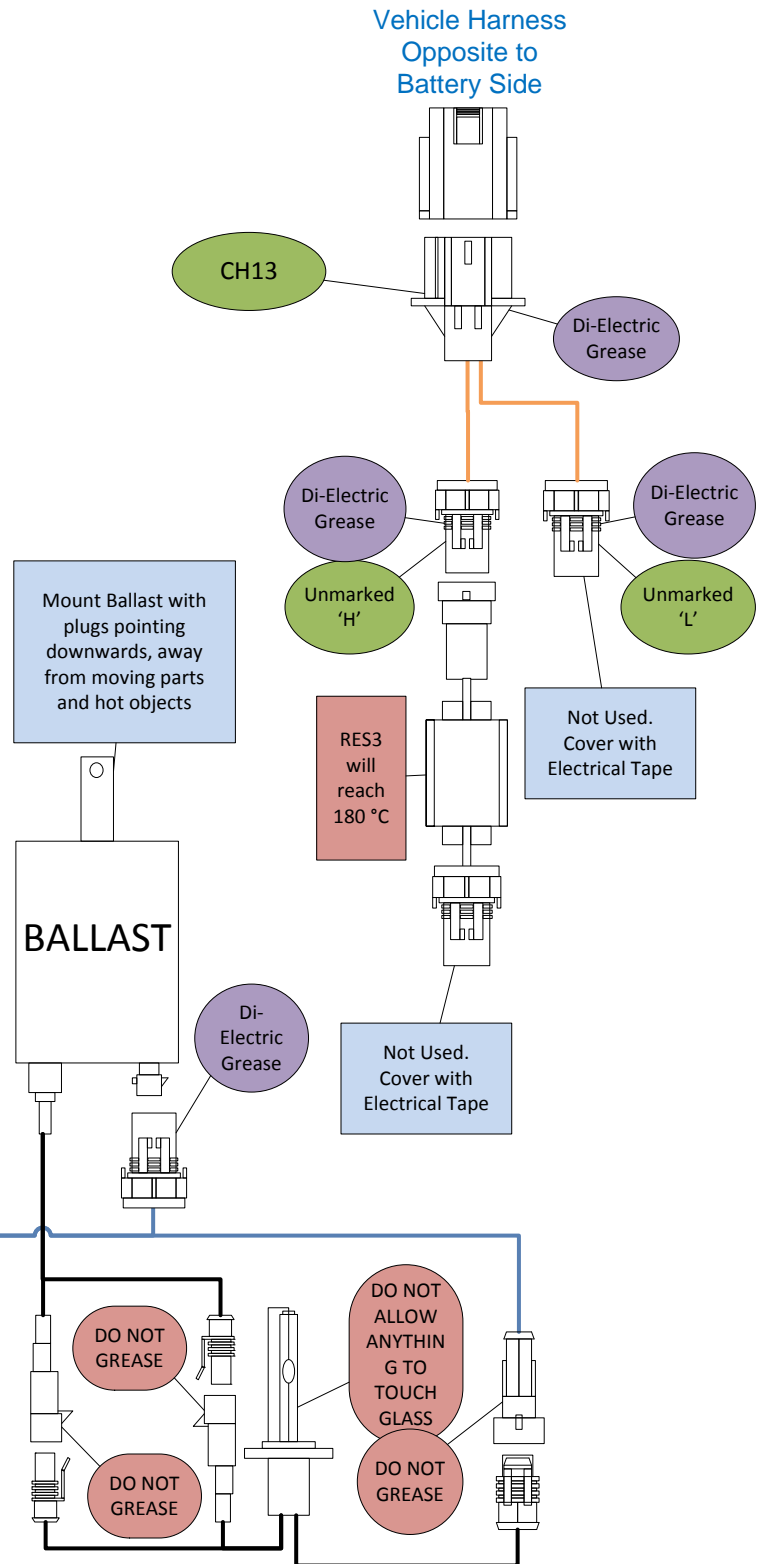


### E3. H13 Bi-Xenon HILO Kit with 2 x RES3 and 1 x CH13 to High Beam

#### Battery Side of Vehicle

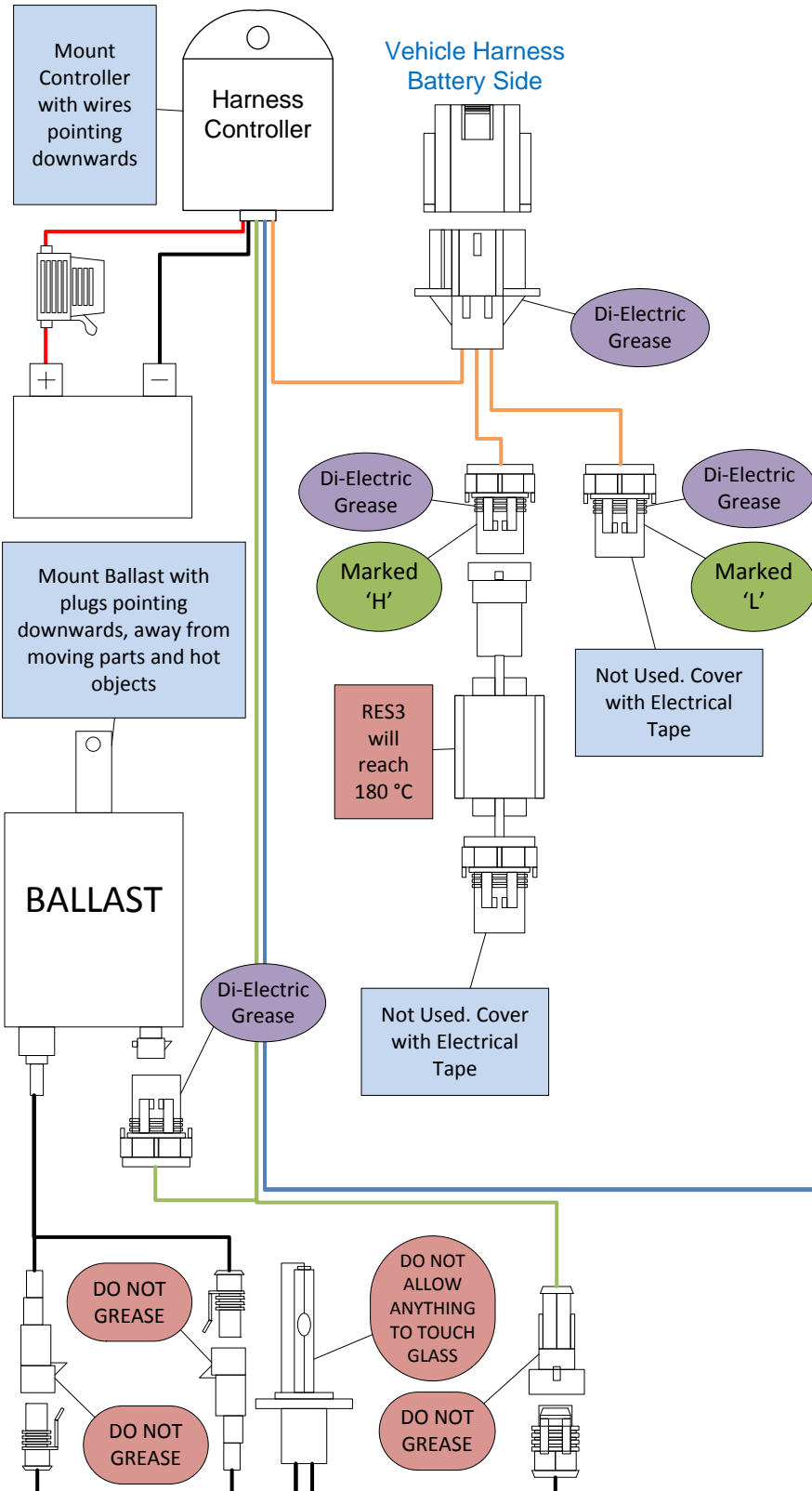


#### Opposite Side of Battery



## H13 Bi-Xenon HILO Kit with 2 x RES3 to High Beam Circuits

### Battery Side of Vehicle



### Opposite Side of Battery

