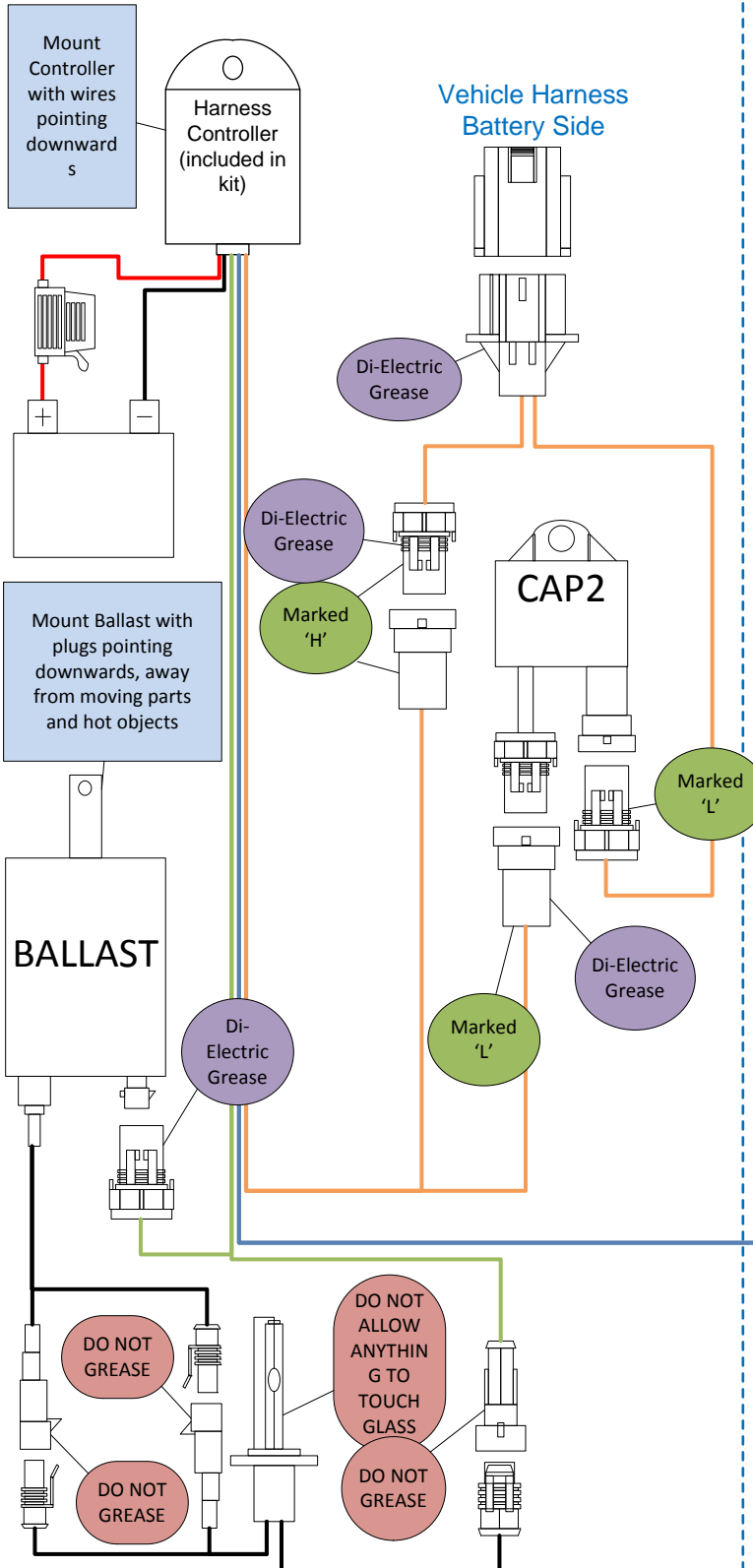
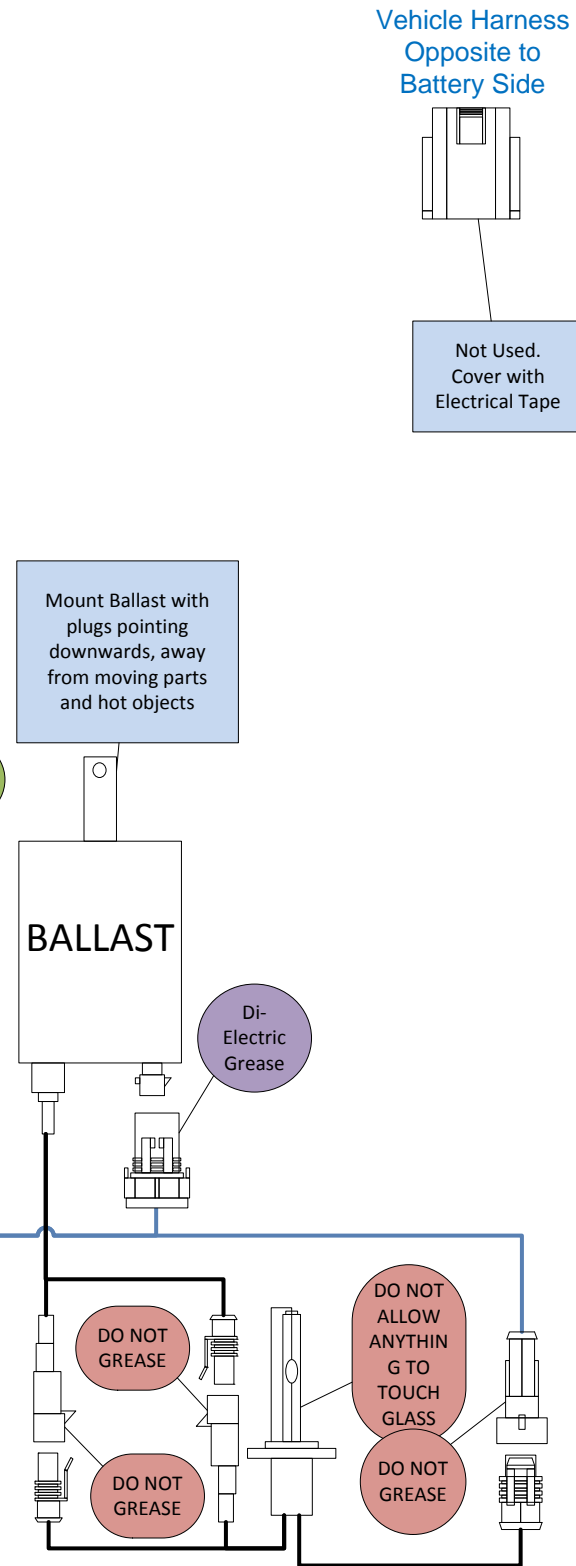


## E8. H13 Bi-Xenon HILO Kit with CAP2 to Low Beam

### Battery Side of Vehicle

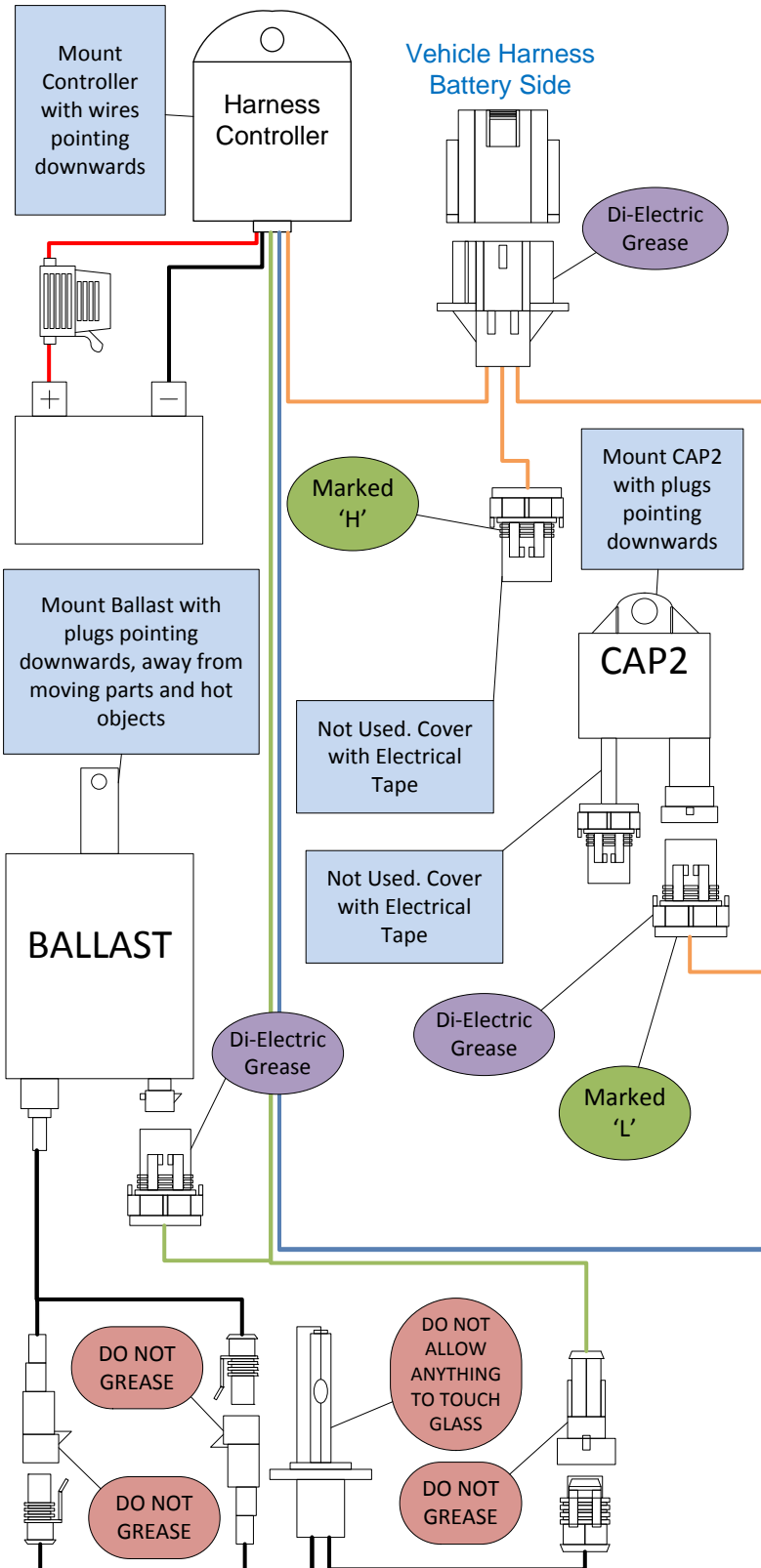


### Opposite Side of Battery



## H13 Bi-Xenon HILO Kit with CAP2 to Low beam

### Battery Side of Vehicle



### Opposite Side of Battery

