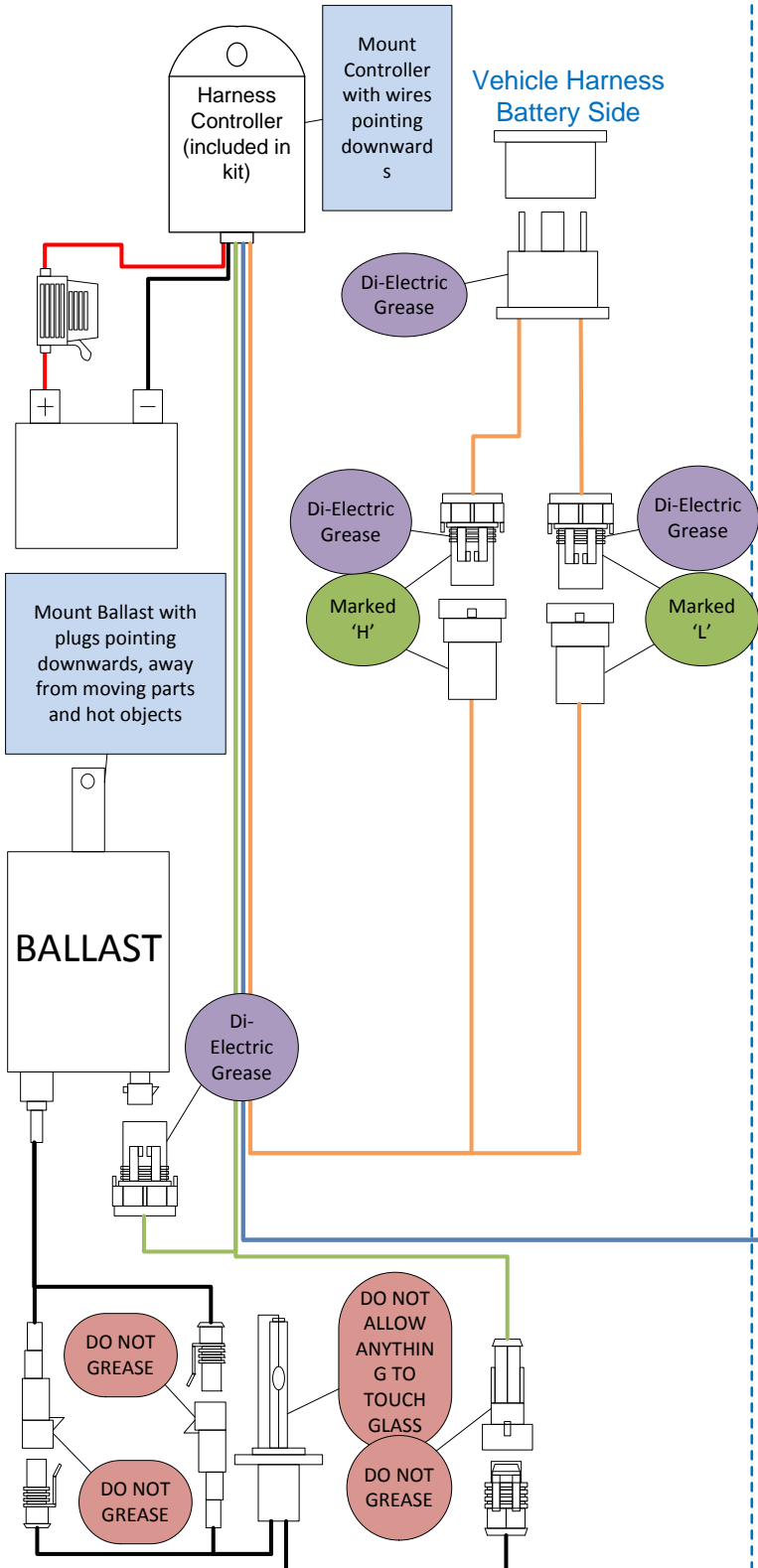
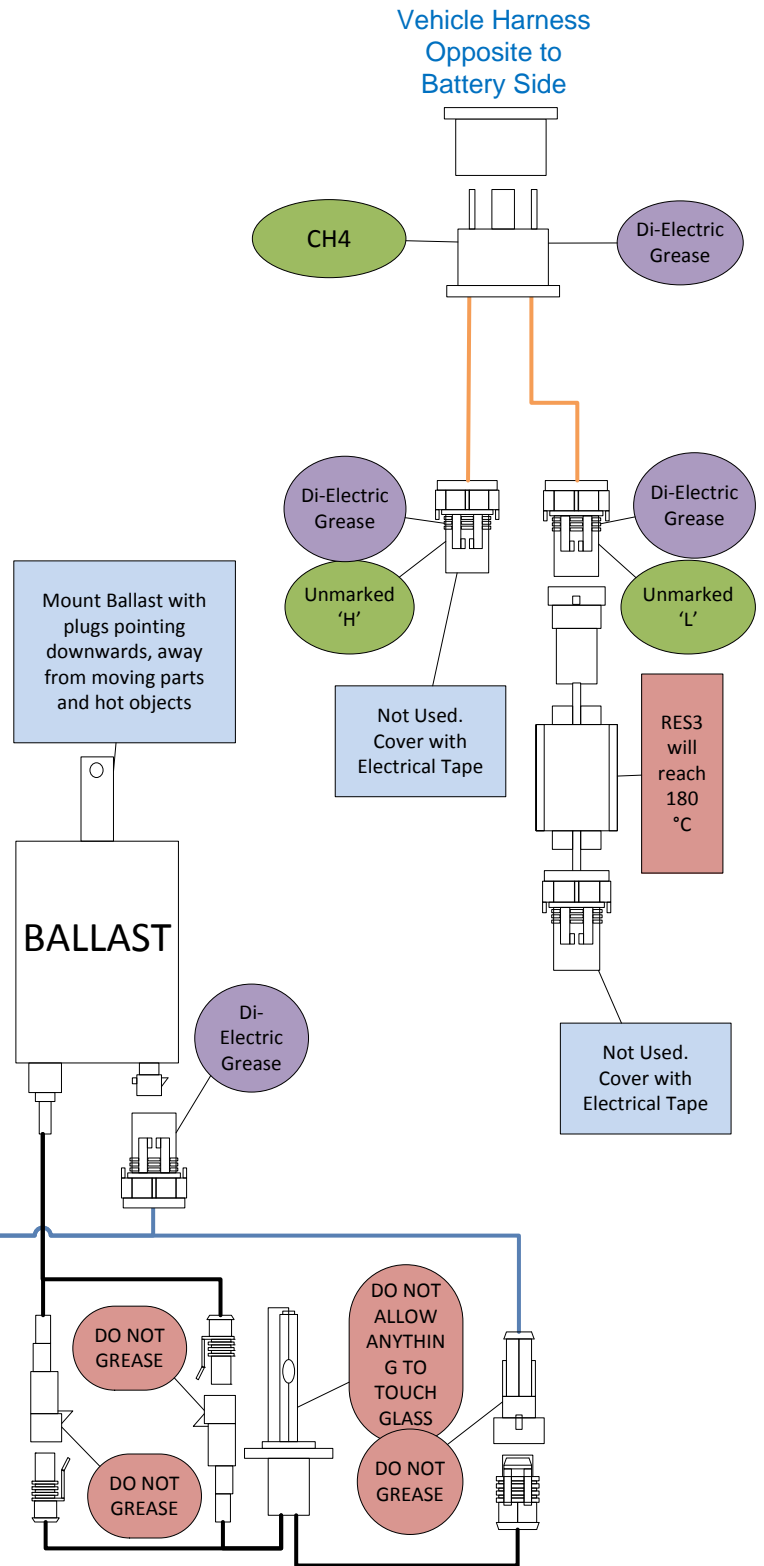


G6. H4 Bi-Xenon HILO Kit with 1 x RES3 and 1 x CH4 to Low Beam

Battery Side of Vehicle

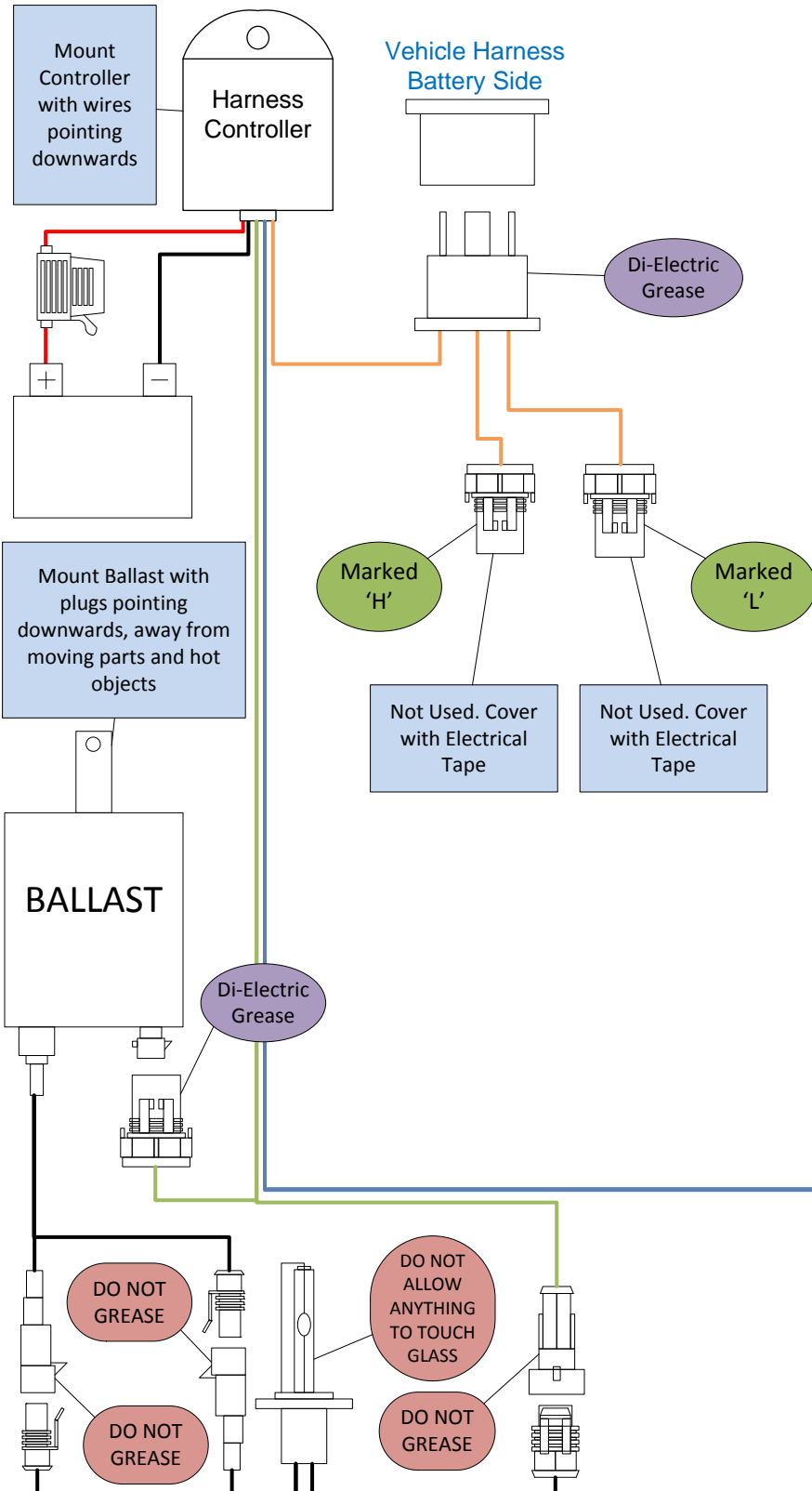


Opposite Side of Battery



H4 Bi-Xenon HILO Kit with RES3 x 1 to L on CH4

Battery Side of Vehicle



Opposite Side of Battery

