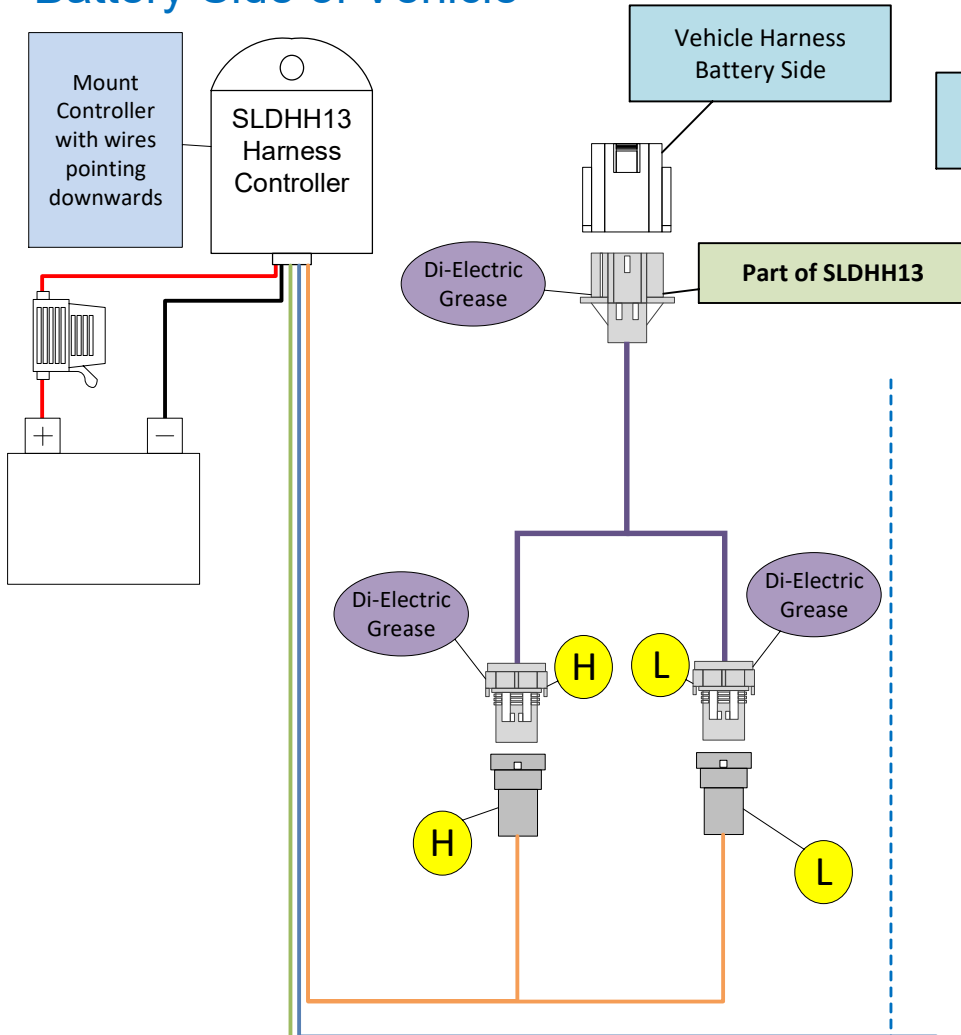


## Q1. UBH13 with SLDHH13 x 1

### Battery Side of Vehicle



### Opposite Side of Battery

