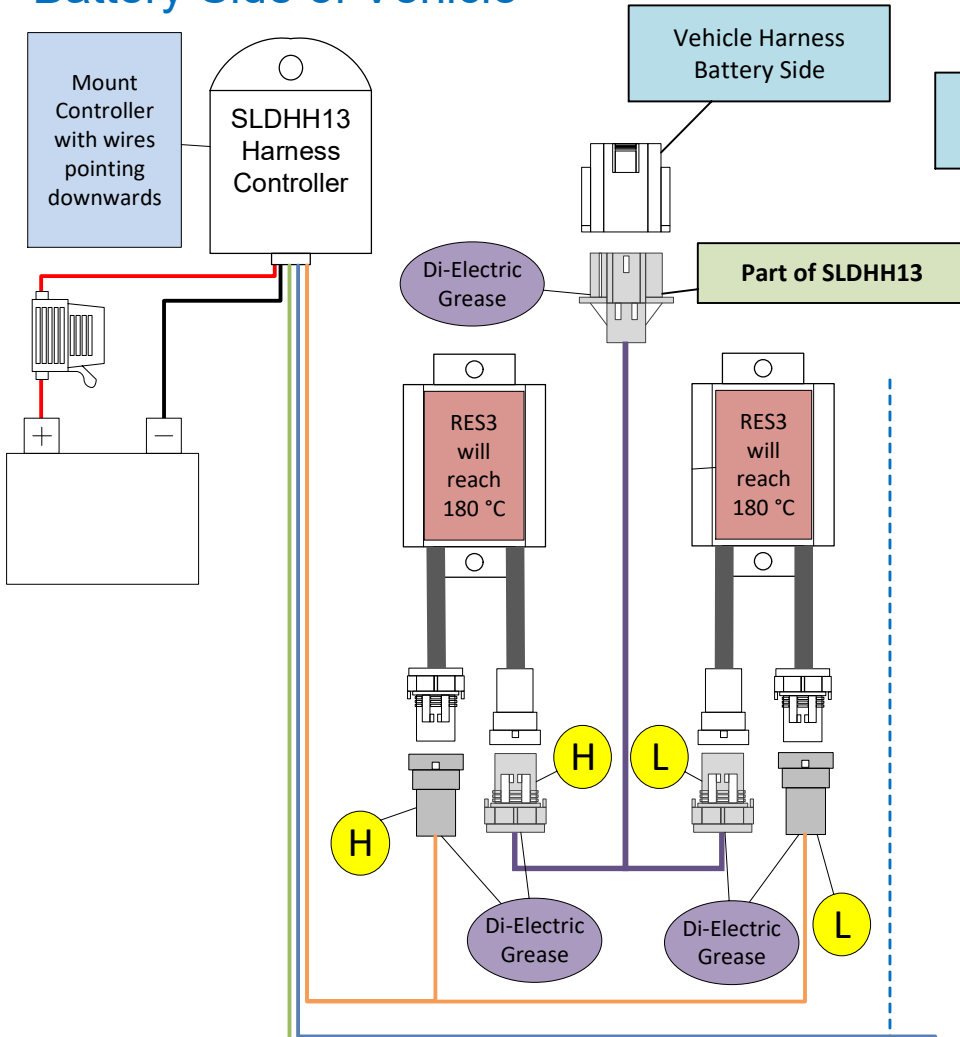


## Q5. UBH13 with SLDHH13 x 1 and RES3 x 2 (Battery)

### Battery Side of Vehicle



### Opposite Side of Battery

