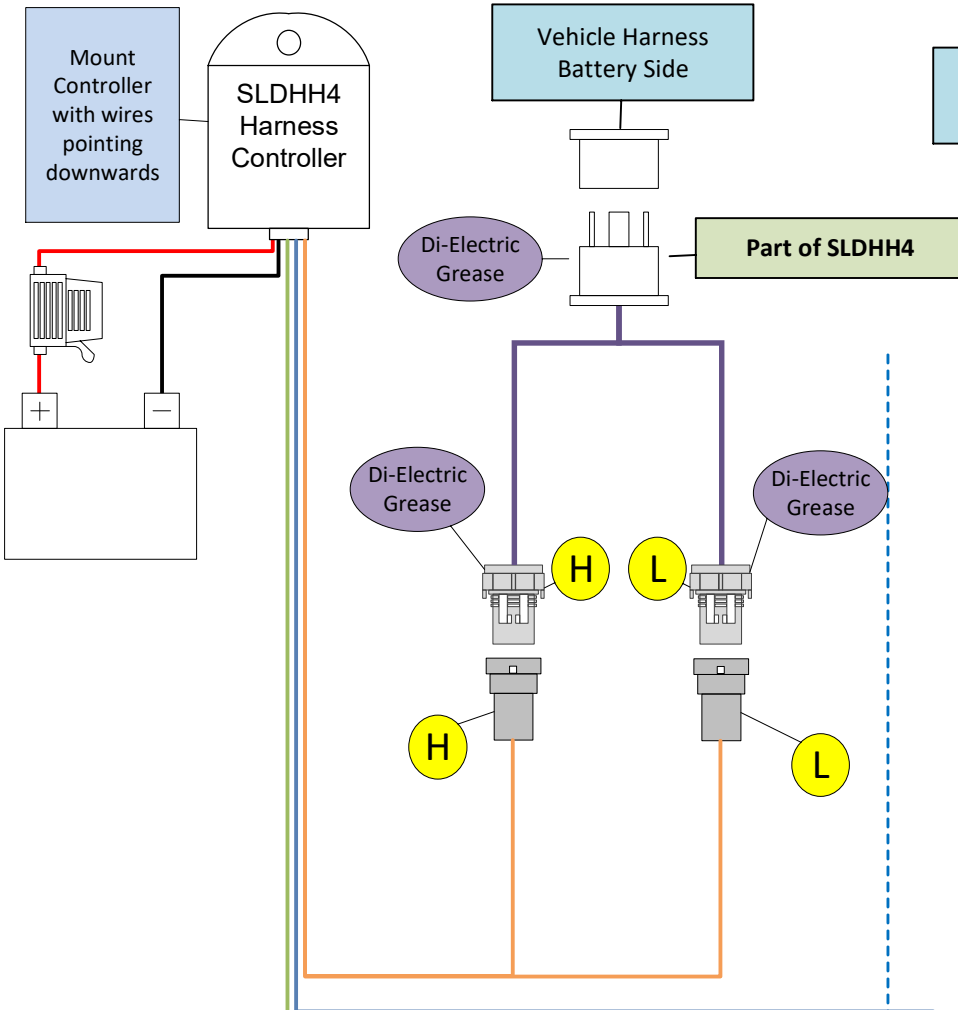


## R1. UBH4 with SLDHH4 x 1

### Battery Side of Vehicle



### Opposite Side of Battery

