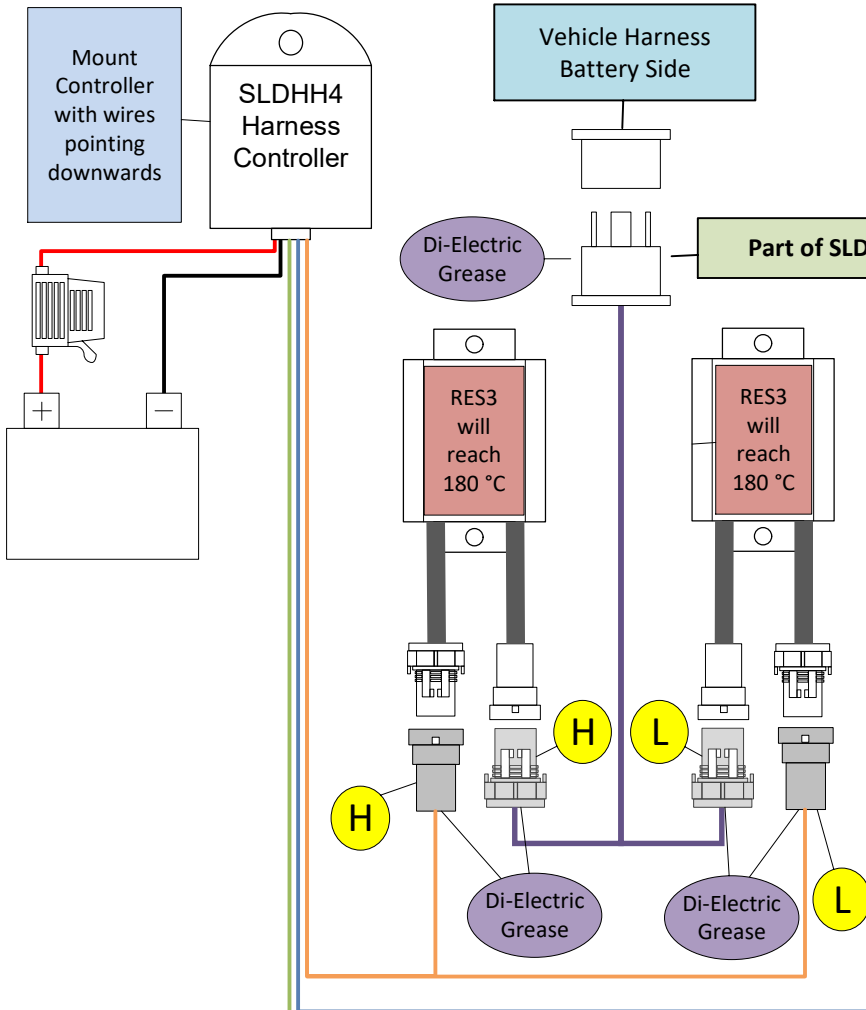


R2. UBH4 with SLDHH4 x 1, CH4 and RES3 x 4

Battery Side of Vehicle



Opposite Side of Battery

