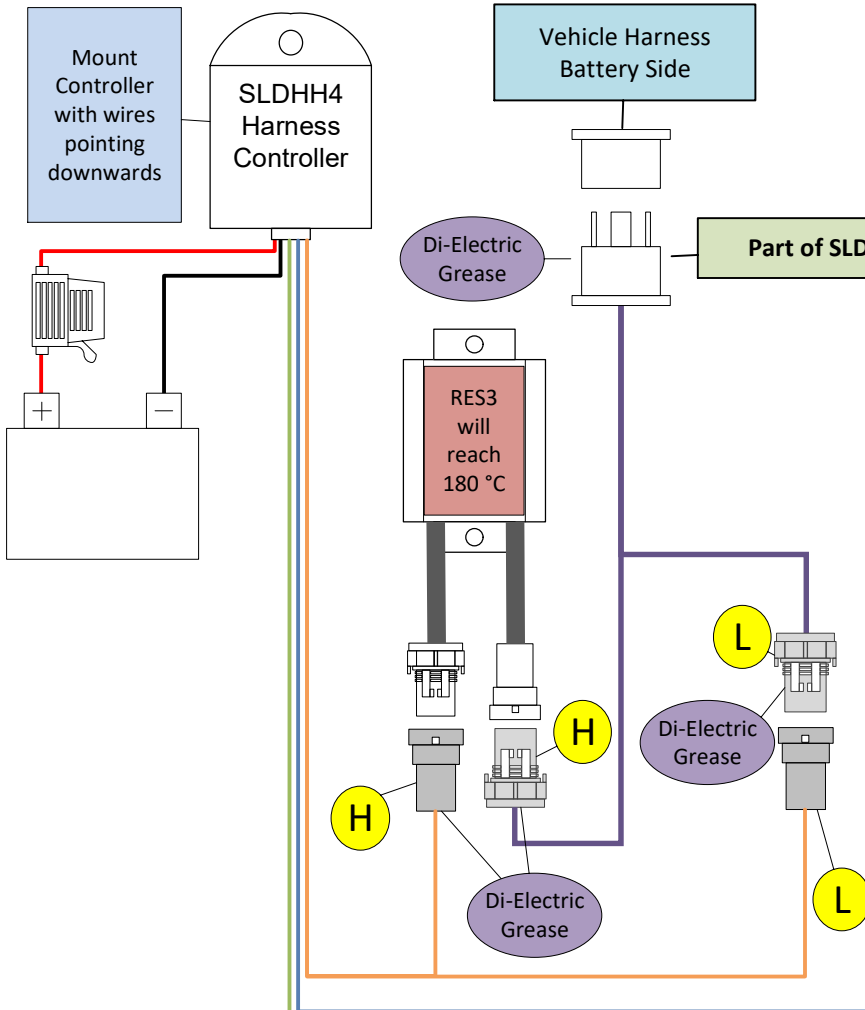


R3. UBH4 with SLDHH4 x 1, CH4 and RES3 x 2 (High Beam)

Battery Side of Vehicle



Opposite Side of Battery

