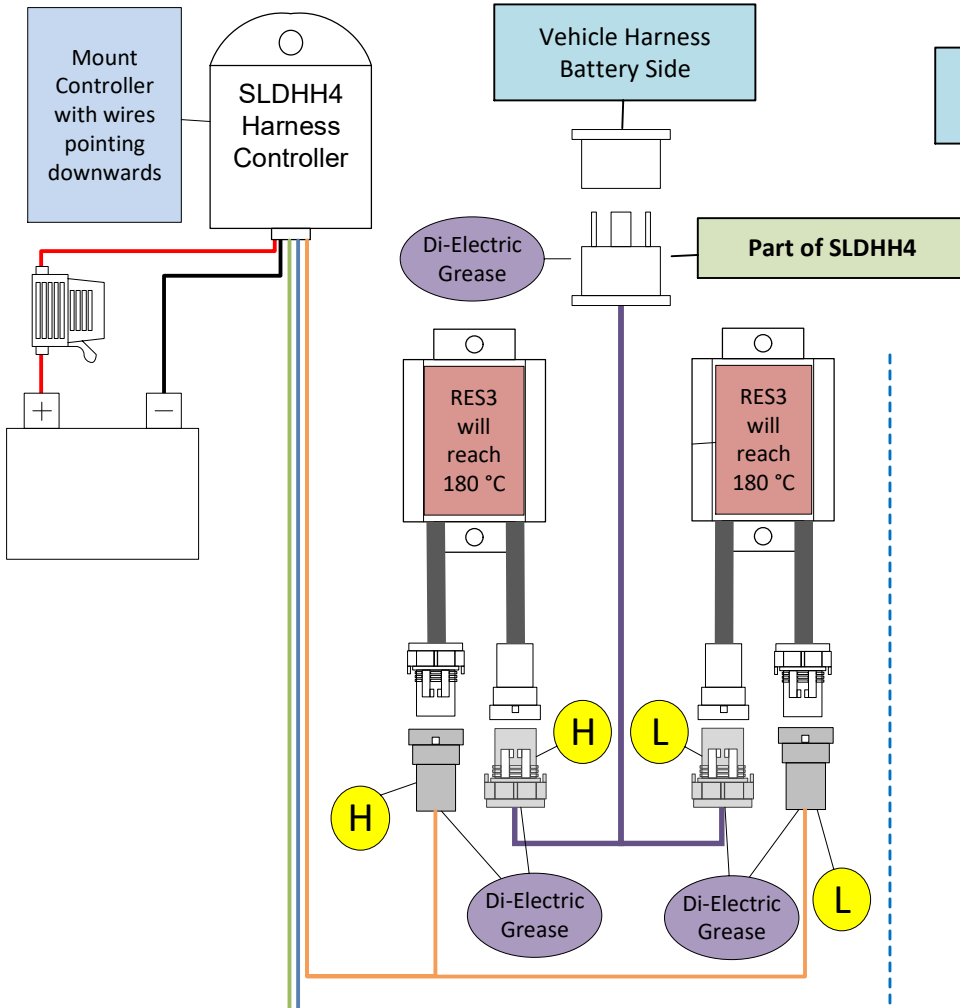


R5. UBH4 with SLDHH4 x 1 and RES3 x 2 (Battery Side)

Battery Side of Vehicle



Opposite Side of Battery

