

UBH4 x 2

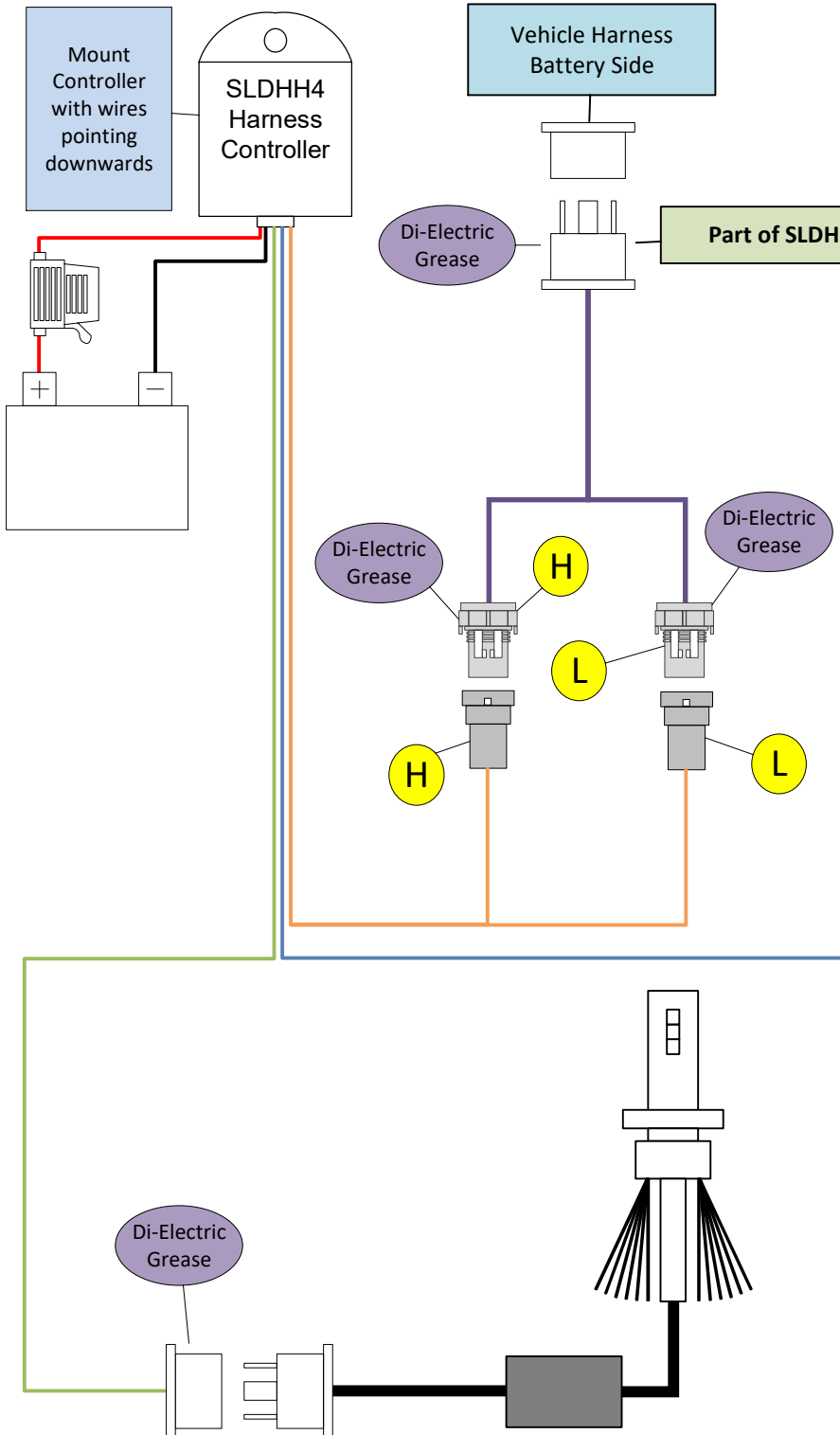
RES3 x 1

SLDHH4 x 1

CH4 X 1

R6. UBH4 with SLDHH4 x 1, CH4 and RES3 x 1 (Low Beam)

Battery Side of Vehicle



Opposite Side of Battery

