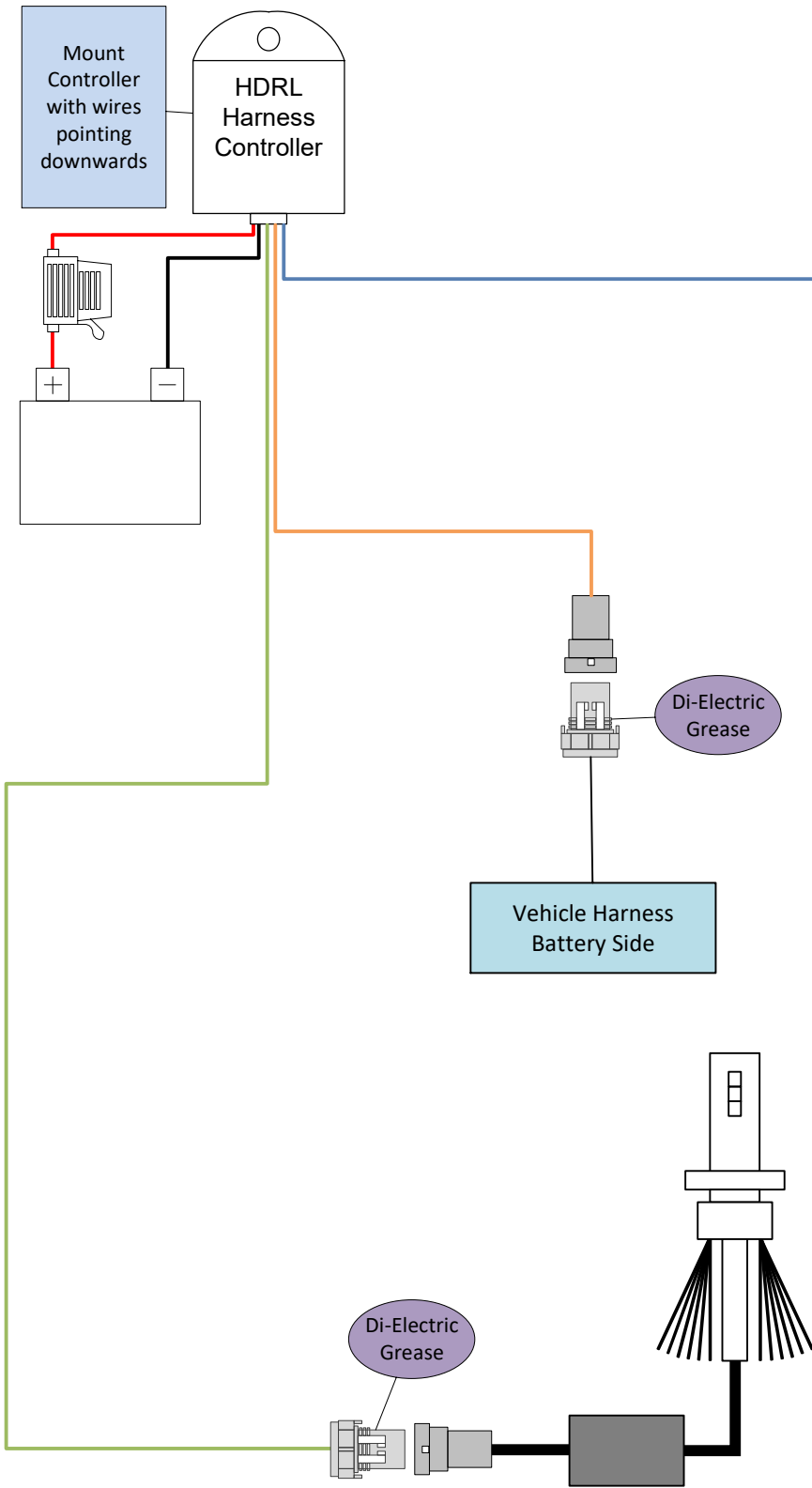


T1. 9005 / 9006 / 9012 LED with HDRL x 1

Battery Side of Vehicle



Opposite Side of Battery

