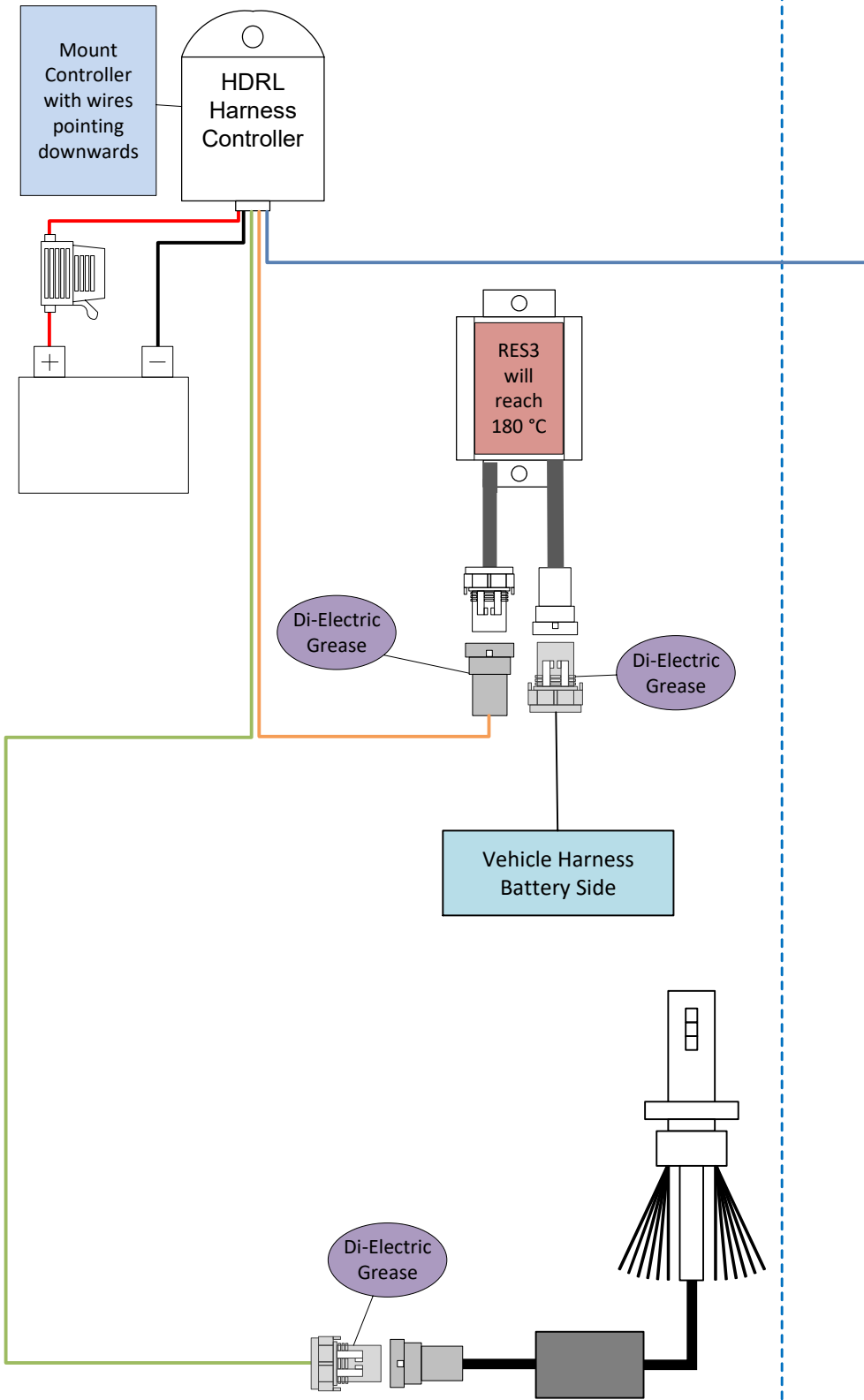


T2. 9005 / 9006 / 9012 LED with HDRL x 1 and RES3 x 1 (Battery)

Battery Side of Vehicle



Opposite Side of Battery

