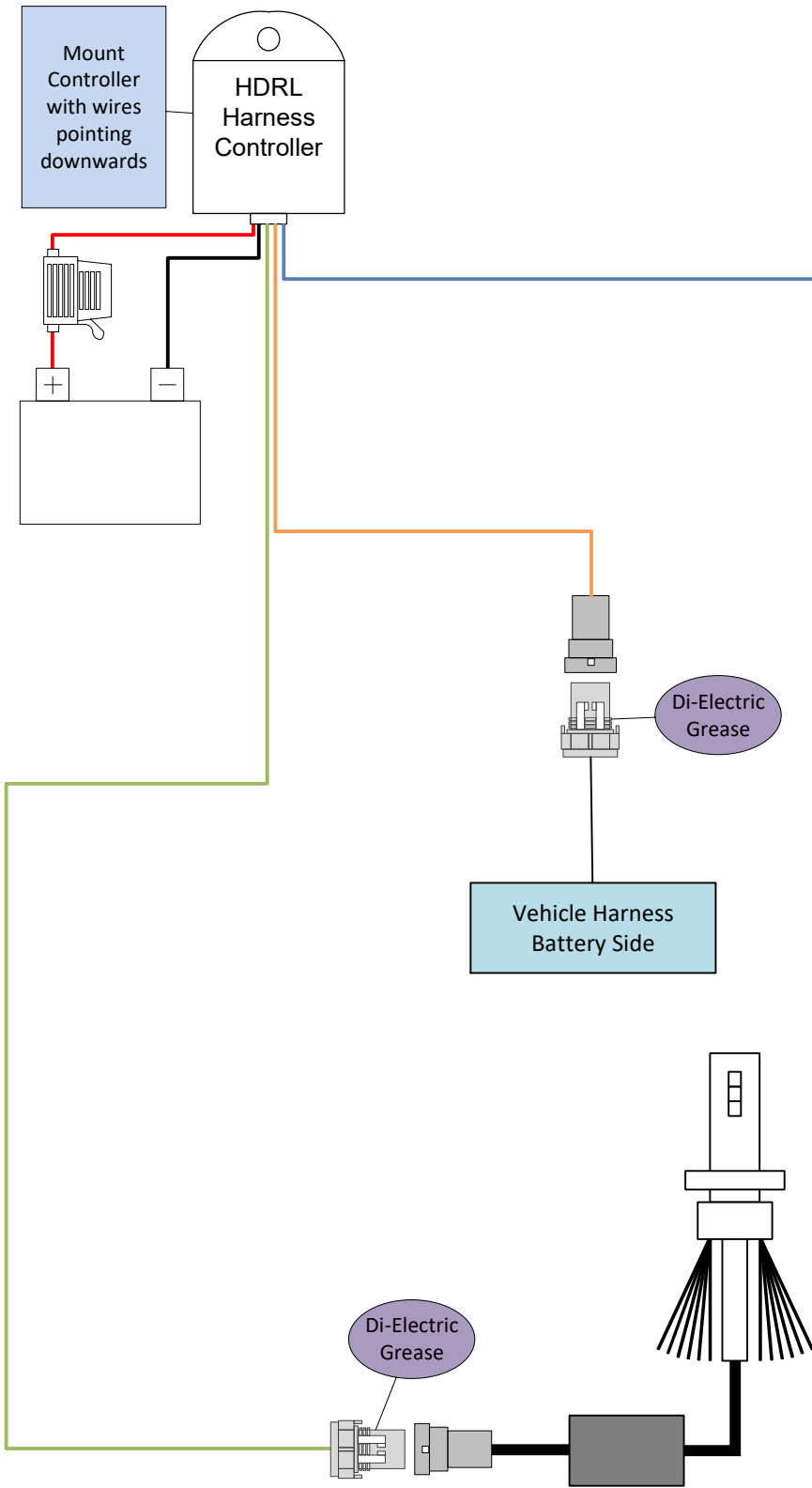


## T3. 9005 / 9006 / 9012 LED with HDRL x 1 and RES3 x 1 (Empty)

### Battery Side of Vehicle



### Opposite Side of Battery

