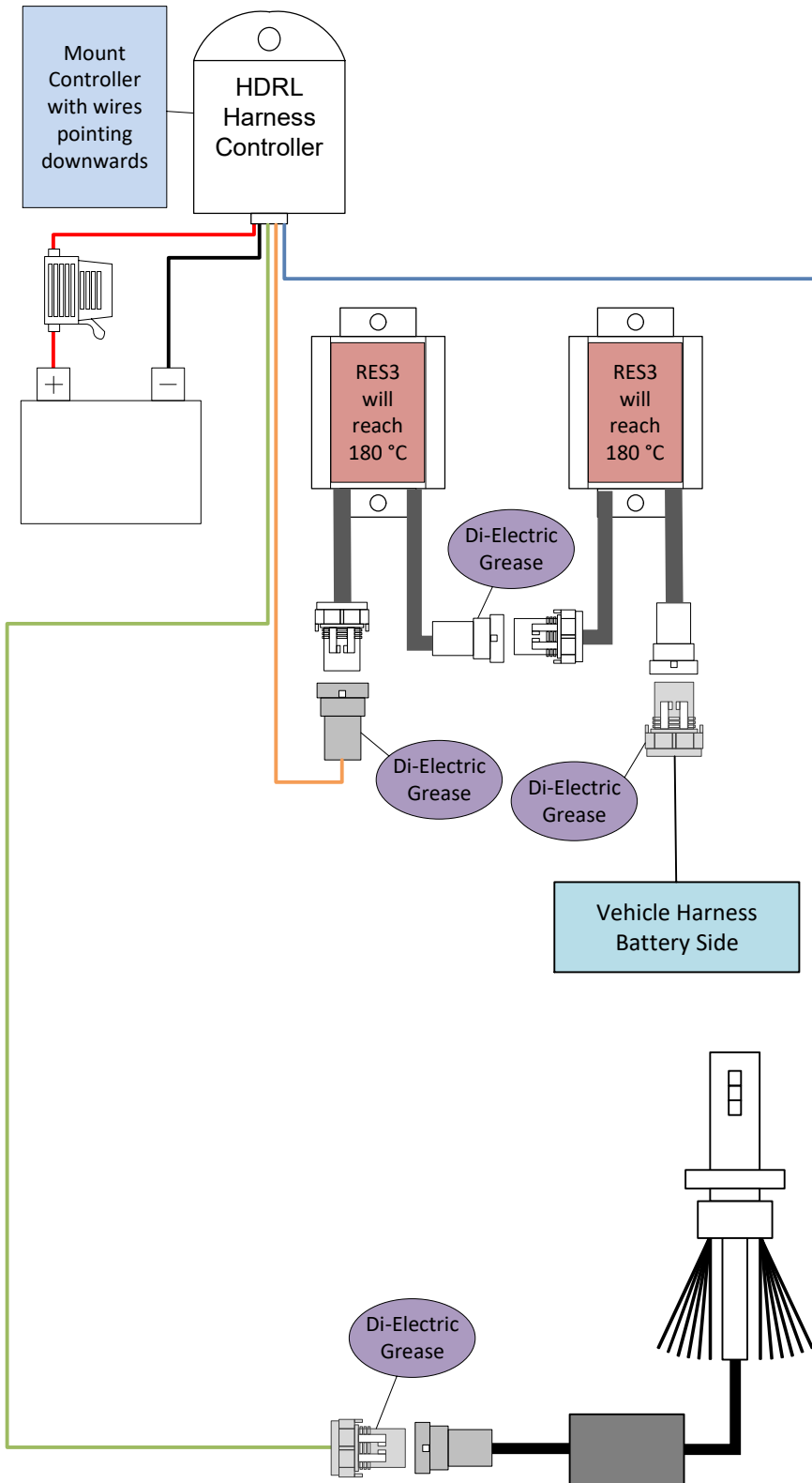


T5. 9005 / 9006 / 9012 LED with HDRL x 1 and RES3 x 4

Battery Side of Vehicle



Opposite Side of Battery

