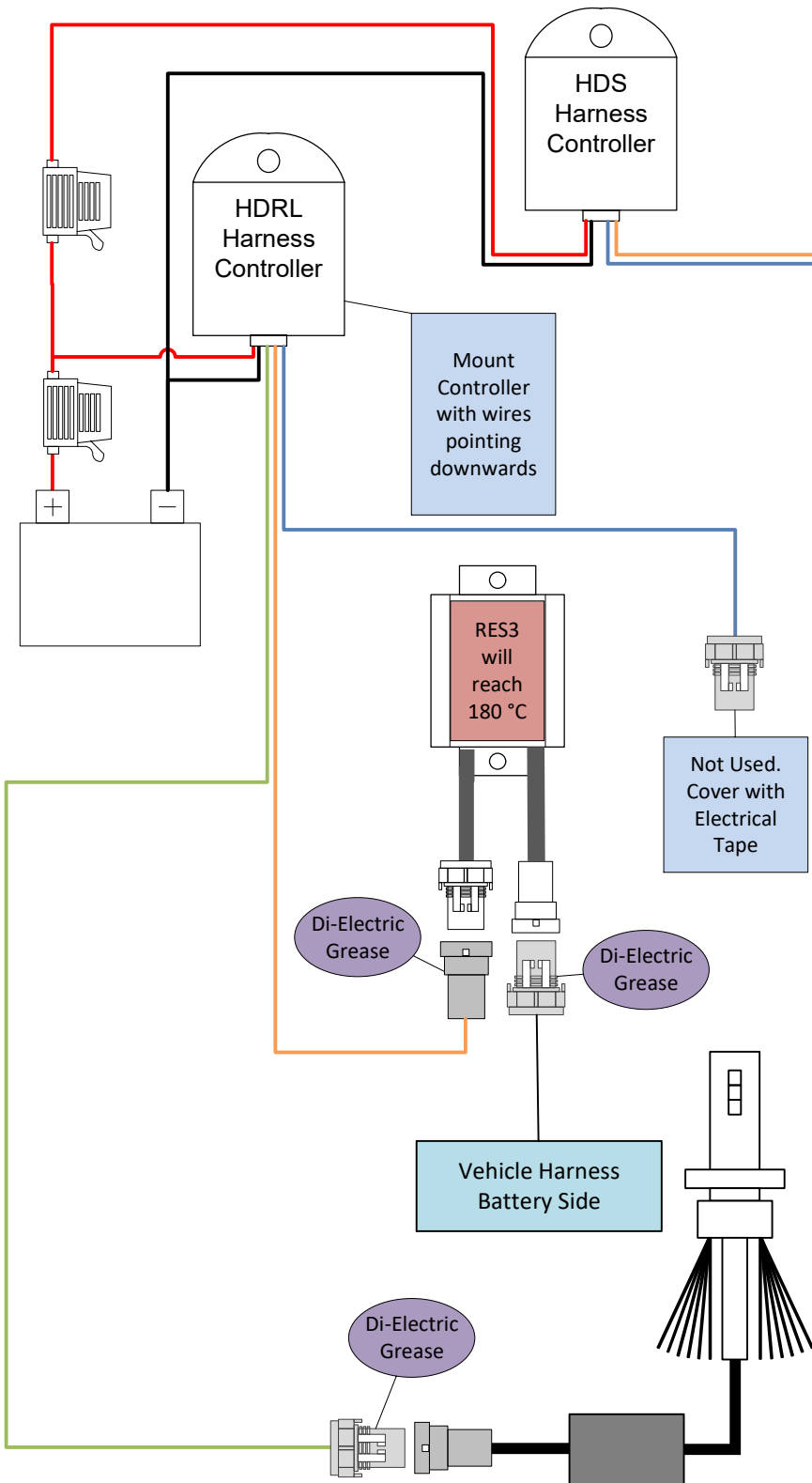


T7. 9005 / 9006 / 9012 LED with HDRL x 1, HDS x 1 and RES3 x 2

Battery Side of Vehicle



Opposite Side of Battery

