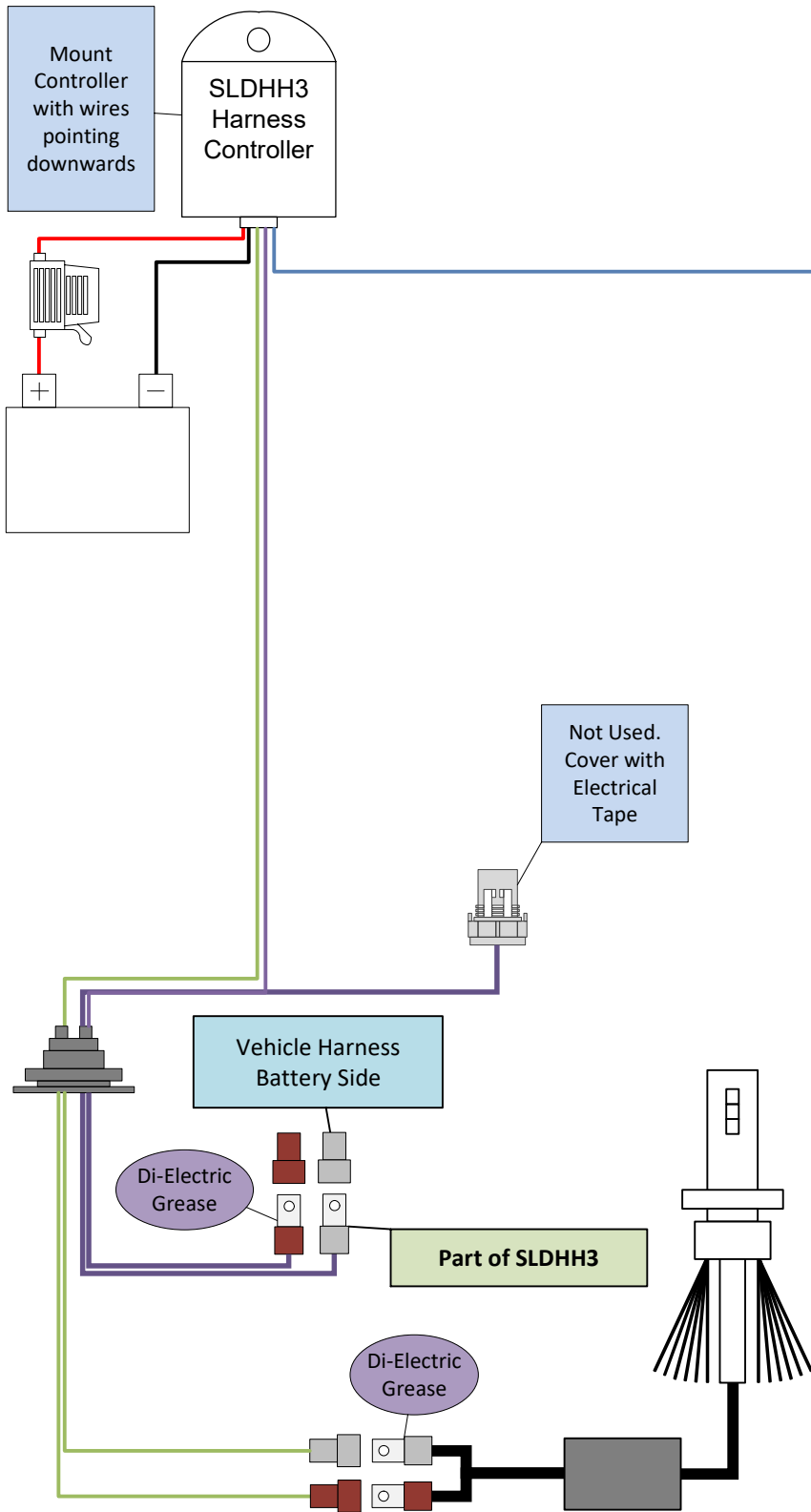


U1. H1 / H3 LED with SLDHH3 x 1

Battery Side of Vehicle



Opposite Side of Battery

