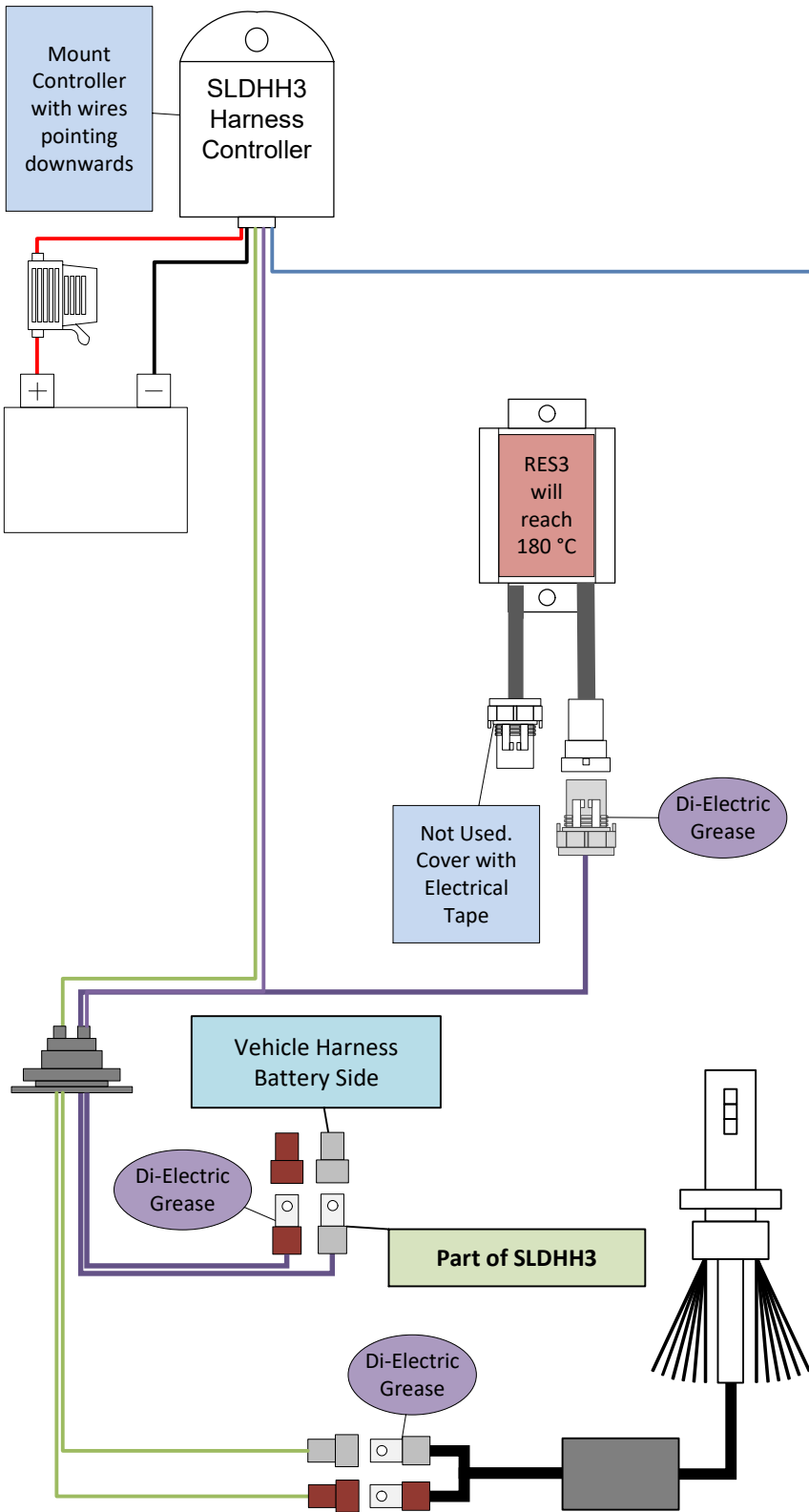


## U2. H1 / H3 LED with SLDHH3 x 1 and RES3 x 1 (Battery)

### Battery Side of Vehicle



### Opposite Side of Battery

