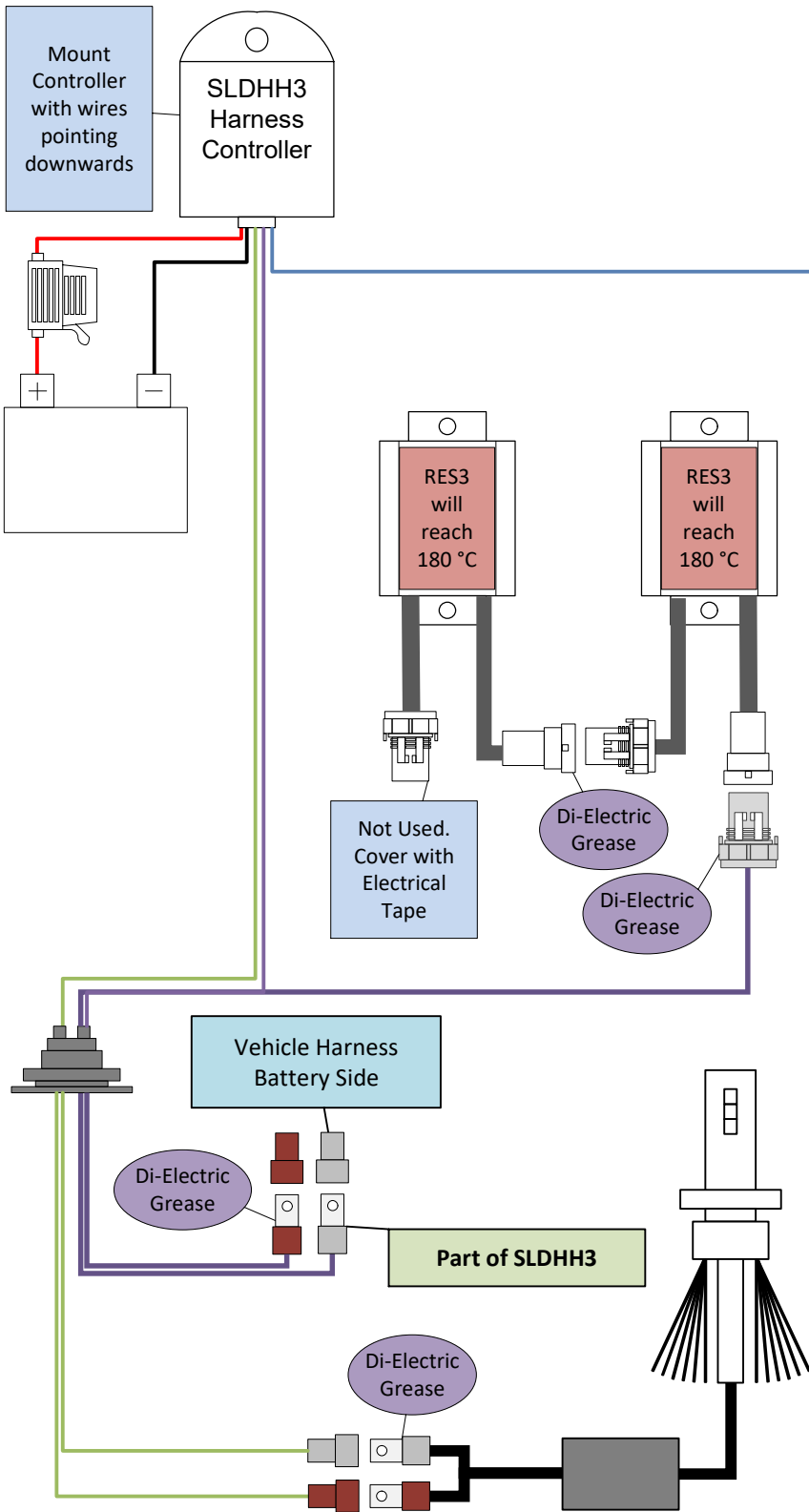


U5. H1 / H3 LED with SLDHH3 x 1 and RES3 x 4

Battery Side of Vehicle



Opposite Side of Battery

