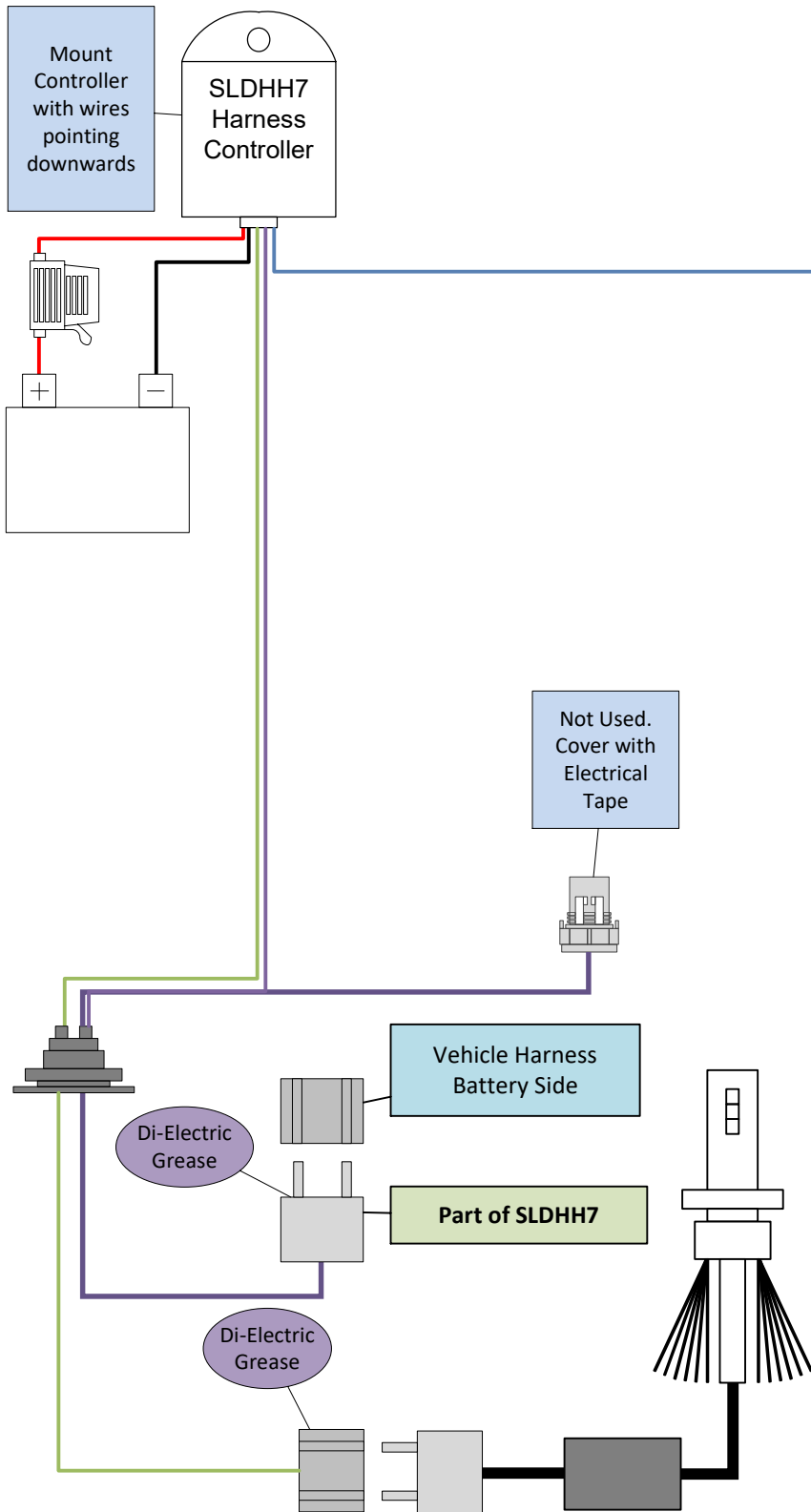


## V3. H7 LED with SLDHH7 x 1 and RES3 x 1 (Non Battery)

### Battery Side of Vehicle



### Opposite Side of Battery

