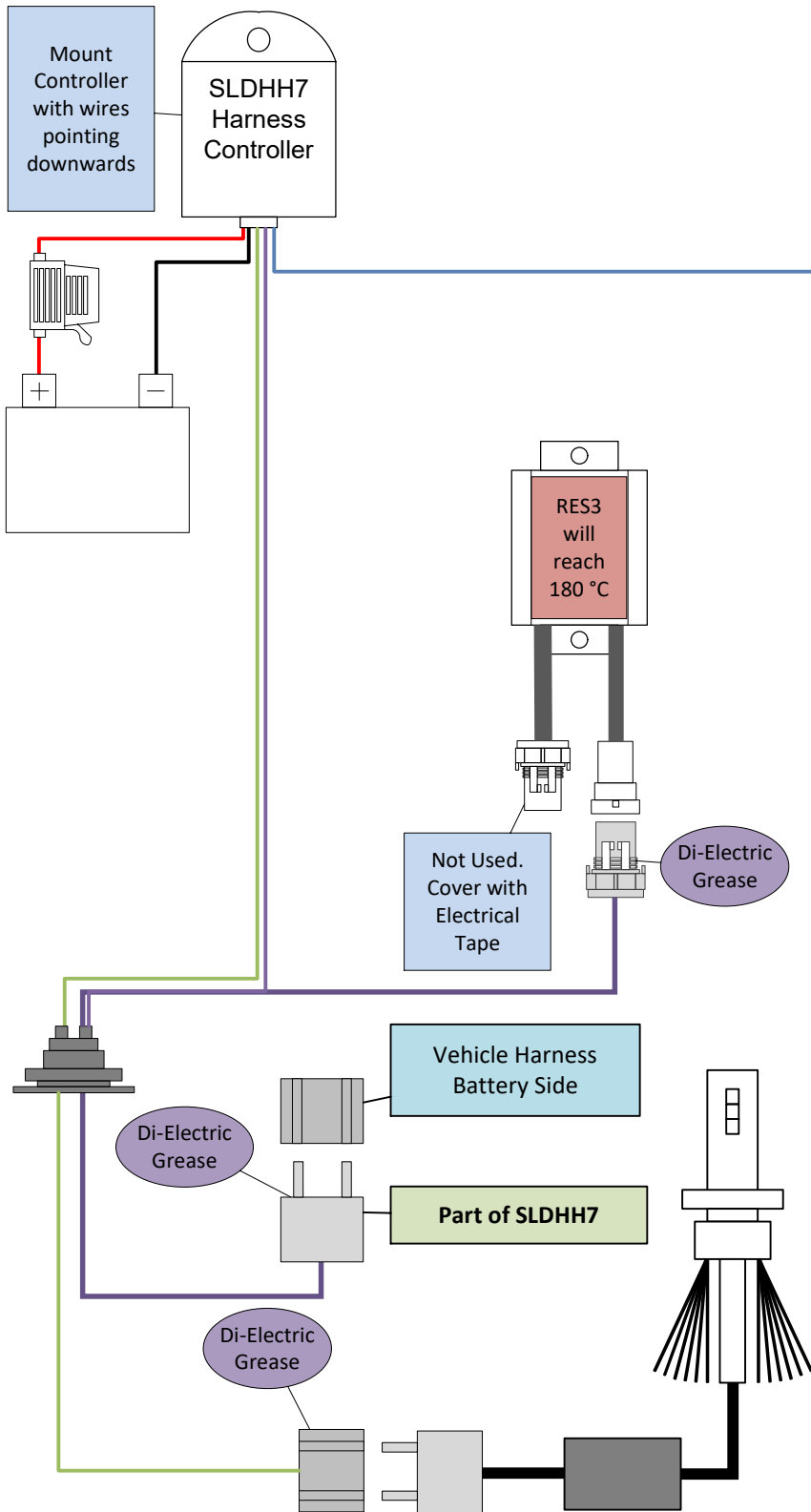


V4. H7 LED with SLDHH7 x 1 and RES3 x 2

Battery Side of Vehicle



Opposite Side of Battery

