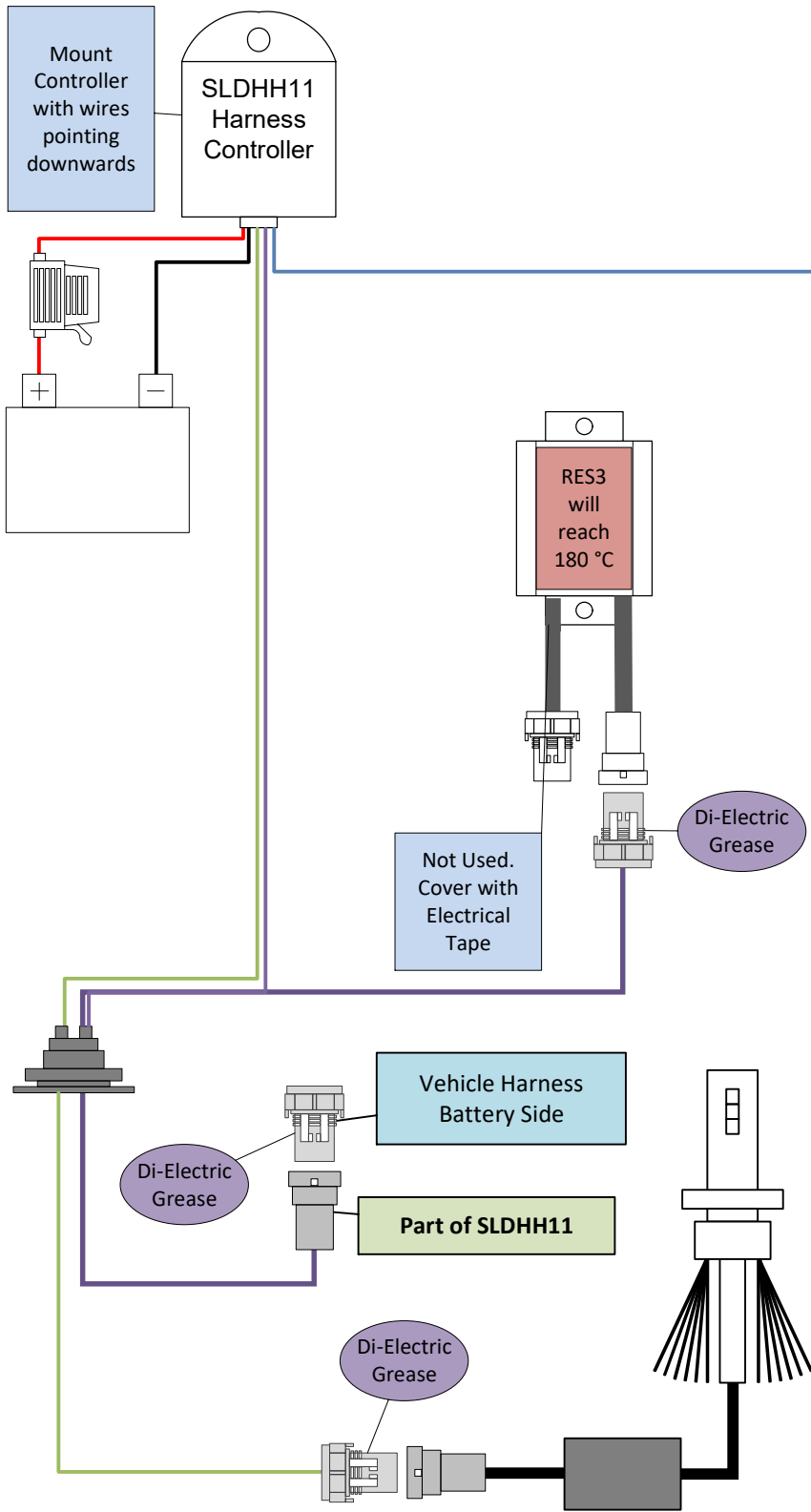


X2. H11 / 800 LED with SLDHH11 x 1 and RES3 x 1 BATTERY

Battery Side of Vehicle



Opposite Side of Battery

